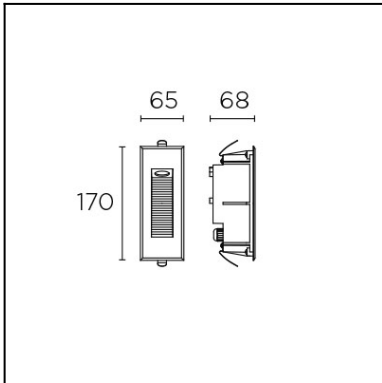




The photograph may not match the reference exactly. Please read the product description to identify the finish.



TECHNICAL CHARACTERISTICS

Type:	WALL RECESSED
IP Protection degrees:	IP65
IK Protection degrees:	IK10
Light source 1:	1 x LED Cree 2.2W Warm White - 3000K 162 lm ^(N) CRI 80
Total power consumption (W):	3.7W
Voltage / Frequency:	100-240V/50-60Hz
Warranty (Years):	2
Option to extend the guarantee (Years):	5
Units per box:	18
Net Weight (Kg):	0.43
EAN:	8435381409012



MATERIALS / FINISHES

Structure material: Injected aluminium

Diffuser material: Glass

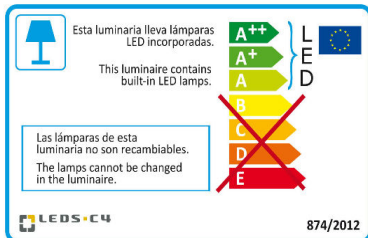
Structure finish: Grey

Diffuser finish: Transparent

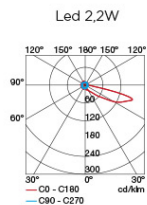
GEAR

Multi-voltage electronic gear included (100-240V / 50-60Hz)

Download photometric file .ldt / .ies



Click on image to download energy label



Lm^(N): Nominal flow of light in actual working conditions. Its actual flow will depend on the environmental conditions and the efficiency of the optics and/or diffuser.

LEDS-C4 reserves the right to make the necessary technical changes they deem adequate, in order to improve the features of the product.

Please consult the sales team to clarify any doubt.



LED'S C4

REF. ENSAYO	REFERENCIA	POTENCIA NOMINAL (W)	POTENCIA (W)	POTENCIA APARENTE (VA)	POTENCIA REACTIVA (VAR)	COSENO DE PHI (PF)	CURRENT (A)
420/2015	05-9758-34-37	2,5	3,54	6,35	5,27	0,557	0,027

RESUMEN INFORME DE ENSAYO

LED'S C4

05-9758-34-37

Referencia de ensayo: 420

Fecha del informe: 16-7-15

Resumen

Informe de prueba fotométrica.

Matriz de intensidades	SI
Diagrama polar	SI
Diagrama cartesiano	SI
Fichero eulumdat	SI
Fichero IESNA	-----
Fichero OXL	-----

Informe de prueba colorimétrica -----



Responsable laboratorio



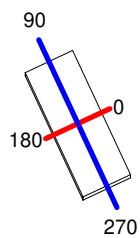
Enginyer tècnic
industrial
Col·legi d'Enginyers tècnics
industrials de Barcelona

Director Técnico

Luminaire		Measur.		Lamp		
Code	05-9758-34-37	Code	05-9758-34-37	Code	05-9758-34-37	
Name	Aplique led 2.2W warm white	Name	Aplique led 2.2W warm white	Number	1	
Line	- LEDS C4 LEDS	Date	16-07-2015	Position	Universal	
Efficiency	100.00%	Coordinate system	CG	Total Flux	70.40 lm	
Maximum value	376.41 cd	Position	C=270.00 G=70.00	Sym. on planes	270-90	
Flush Rectangular Rectangular Luminous Area	Length Length	170 mm 100 mm	Width Width	65 mm 22 mm	Height Height	4 mm 0 mm
Horizontal Luminous Area Emitting area on Plane 0° Emitting area on Plane 90°	0.002200 m2 0.000000 m2 0.000000 m2	Emitting area on Plane 180° Emitting area on Plane 270° Glare area at 76°	0.000000 m2 0.000000 m2 0.000532 m2			
Symmetry Type Measurement Distance	Sym. on planes 270-90 0.51	Maximum Gamma Angle Measurement Flux	90 70.40 lm			
Operator Temperature Humidity Notes	Asselum T3 25.00 °C 42.00 %	Source voltage Source current Photocell	230.00 V Czibula Grundmann			

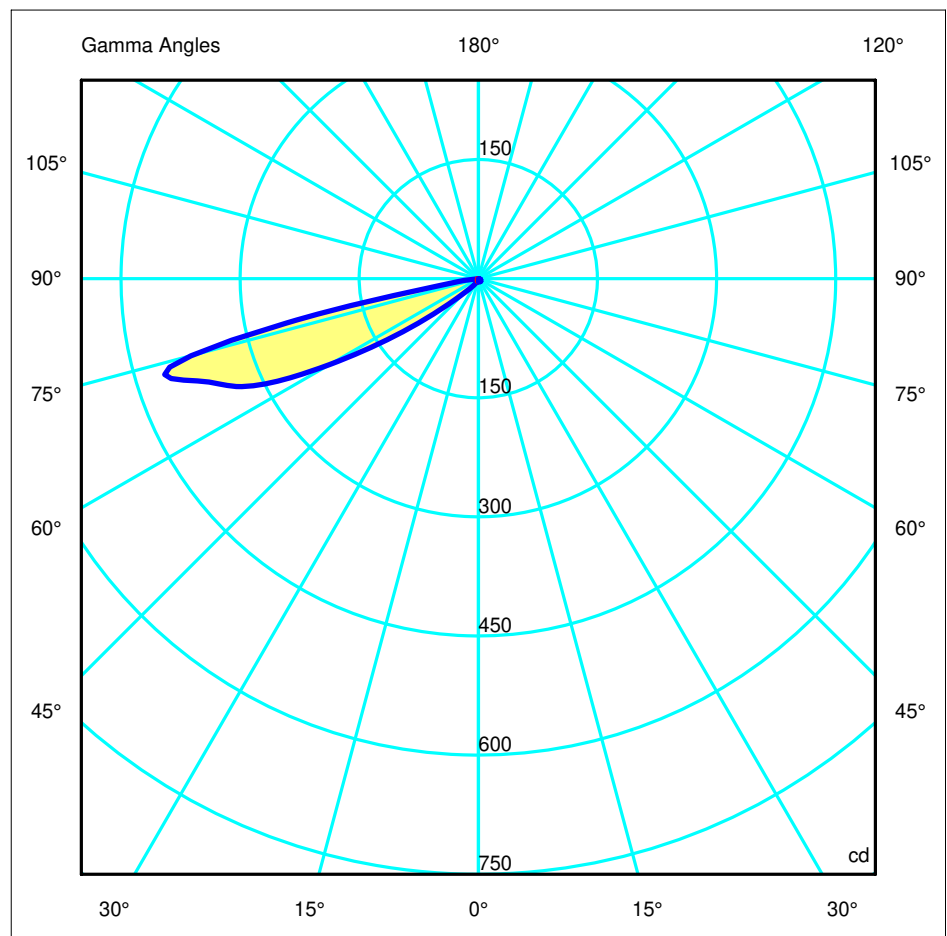
Luminaire Lamps					
Line	Code	Name	Flux [lm]	Pow. [W]	Q.ty
- LEDS C4 LEDS	05-9758-34-37	Lámpara led 2.2W	70.40	2.00	1
C.I.E. F UTE	9 32 89 100 100 --	D DIN 5040 B NBN	A10 BZ 10 / 1.5 / BZ 9 / 2.5 / BZ 8 / 3 / BZ 7		

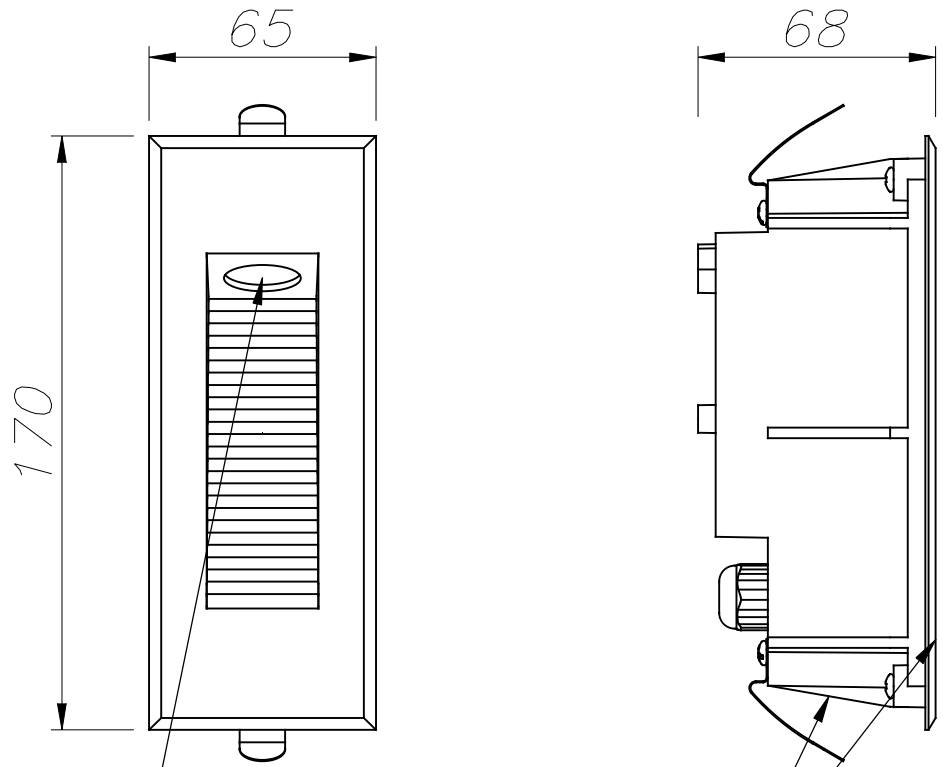
170mm x 65mm



C Halfplanes
 270.0 ——— 0.0
 180.0 ——— 90.0

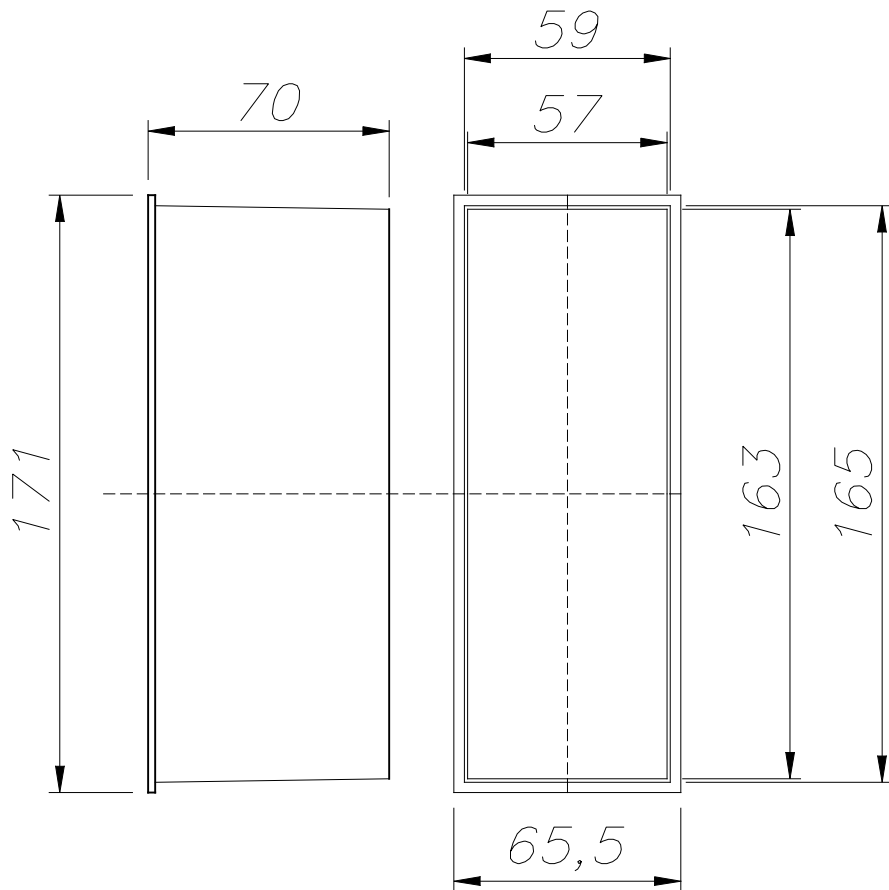
ULOR 0.00 %
 DLOR 100.00 %
 RN 0.00 %





CRISTAL TRANSPARENTE
TRANSPARENT GLASS

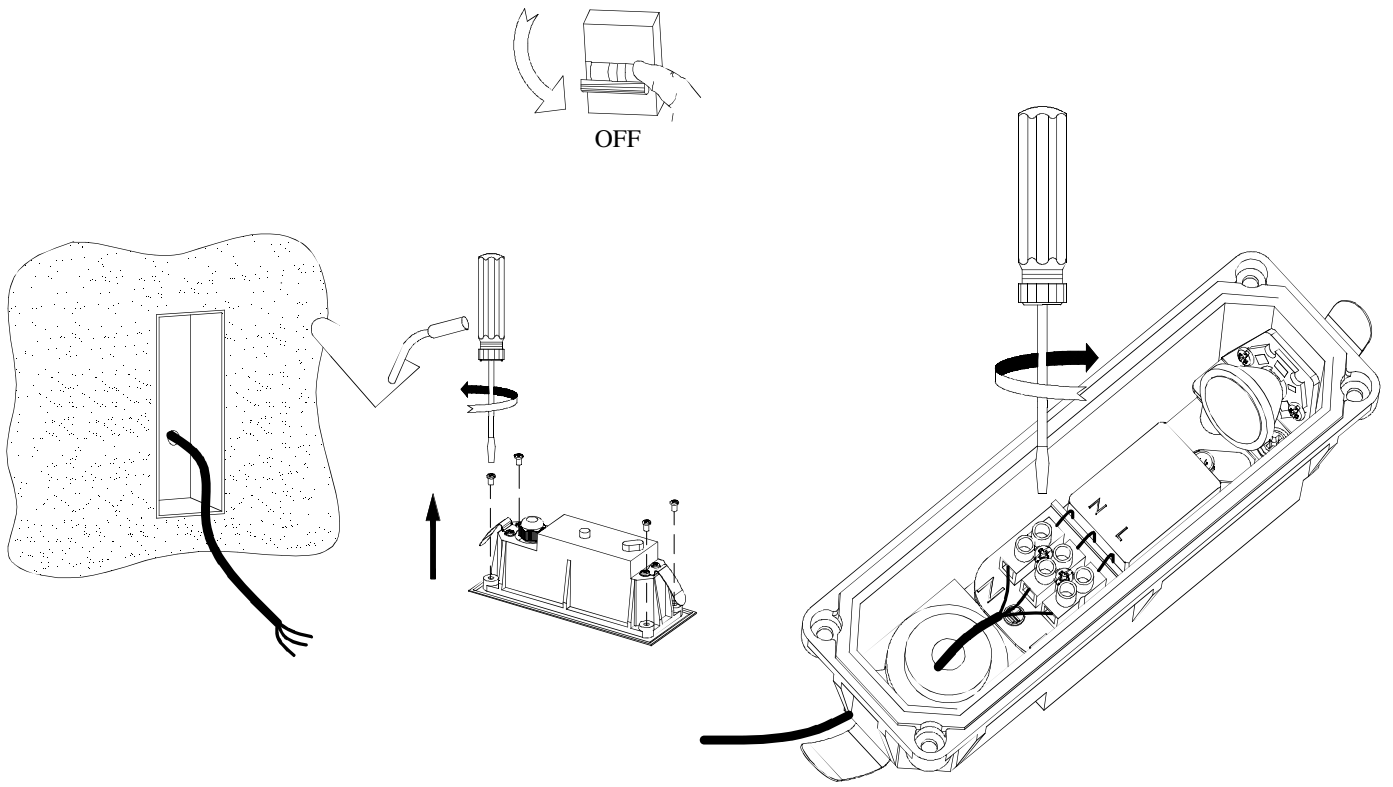
ALUMINIO INYECTADO
INJECTED ALUMINIUM



CAJA DE EMPOTRAR
FLUSH FITTING BOX

①

②



③

④

